



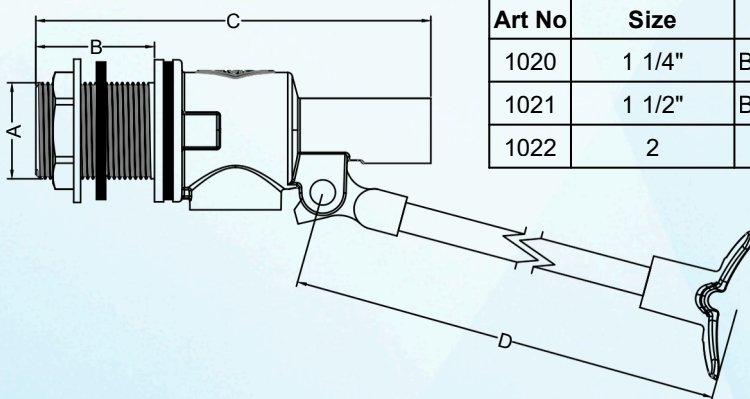
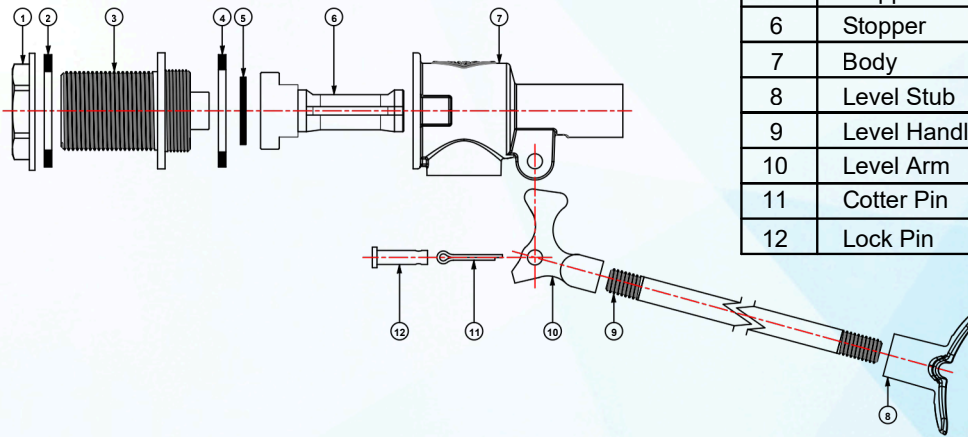
FORGING BRASS WATER LEVEL CONTROLLER - MOH



Reliable • Durable • Affordable

FORGING BRASS WATER LEVEL CONTROLLER (MOH)

Part	Part Name	Material
1	Jam Nut	Forged Brass
2	Jam Nut Rubber	Nitrile Rubber
3	Inlet Tube	Forged Brass
4	Inlet Tube Rubber	Nitrile Rubber
5	Stopper Rubber	Nitrile Rubber
6	Stopper	Forged Brass
7	Body	Forged Brass
8	Level Stub	Forged Brass
9	Level Handle	Stainless Steel
10	Level Arm	Forged Brass
11	Cotter Pin	Brass Rod
12	Lock Pin	Brass Rod



Art No	Size	A	B	C	D
1020	1 1/4"	BSPP 1 1/4"	46.0	162.1	567
1021	1 1/2"	BSPP 1 1/2"	46.0	162.1	567
1022	2"	BSPP 2"	51.0	167.2	687

Nominal Pressure: 16 bar
Working Temperature: < 90°C

WELL-BUILT ALLOY INDUSTRIES SDN BHD

No 5, Jalan Riang 24, Taman Gembira, 81200 Johor Bahru, Johor, Malaysia.

Tel: +607-3329173 Fax: +607-3328664 Email: info@wellbuiltalloy.com.my

Website: www.wellbuiltalloy.com.my



BUATAN MALAYSIA
MADE IN MALAYSIA

