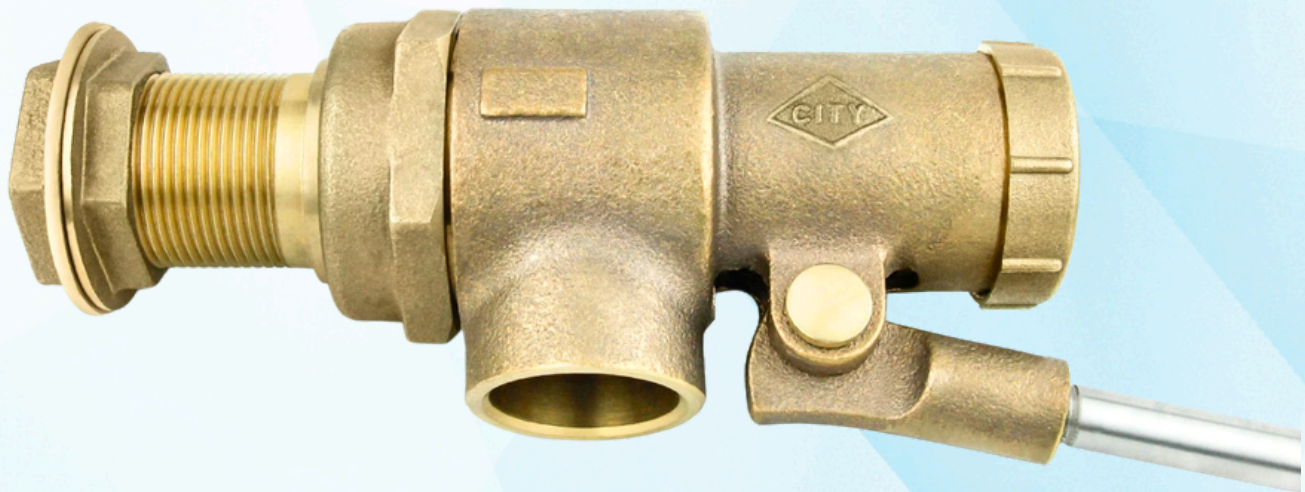


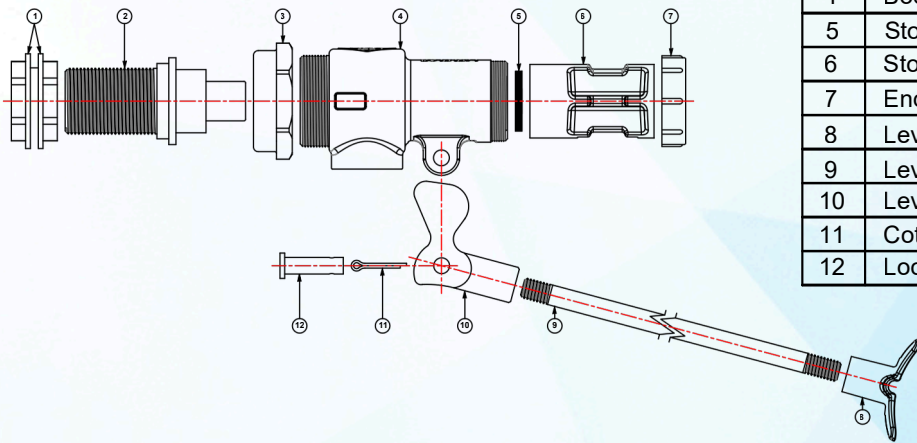


FORGING BRASS BS1212 HEAVY DUTY WATER TANK LEVEL CONTROLLER

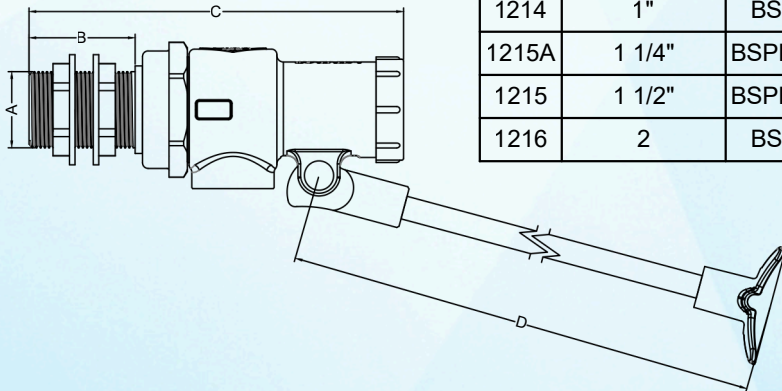


Reliable · Durable · Affordable

FORGING BRASS BS1212 HEAVY DUTY WATER TANK LEVEL CONTROLLER



Part	Part Name	Material
1	Jam Nut	Forged Brass
2	Inlet Tube	Forged Brass
3	Coupling	Forged Brass
4	Body	Forged Brass
5	Stopper Rubber	EDPM
6	Stopper	Forged Brass
7	End Cap	Forged Brass
8	Level Stub	Forged Brass
9	Level Handle	Standard Steel
10	Level Arm	Forged Brass
11	Cotter Pin	Brass Rod
12	Lock Pin	Brass Rod



Art No	Size	A	B	C	D
1214	1"	BSPP 1"	53.0	153.8	405.0
1215A	1 1/4"	BSPP 1 1/4"	58.0	205.0	571.1
1215	1 1/2"	BSPP 1 1/2"	67.0	207.0	571.1
1216	2"	BSPP 2"	73.0	256.5	702.5

Nominal Pressure: 16 bar
Working Temperature: < 90°C



WELL-BUILT ALLOY INDUSTRIES SDN BHD

No 5, Jalan Riang 24, Taman Gembira, 81200 Johor Bahru, Johor, Malaysia.
Tel: +607-3329173 Fax: +607-3328664 Email: info@wellbuiltalloy.com.my
Website: www.wellbuiltalloy.com.my