

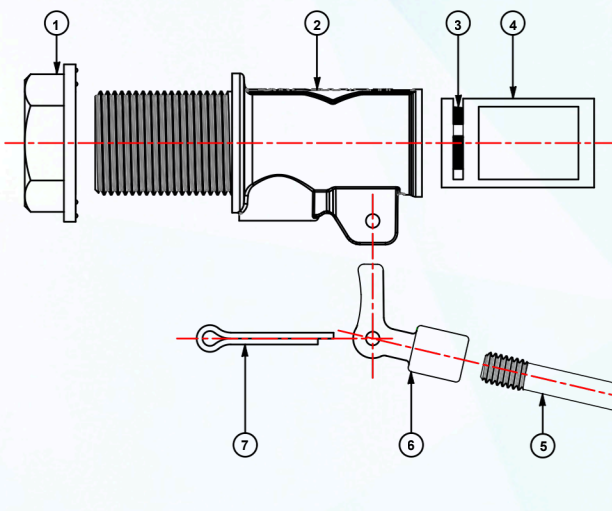


FORGING BRASS WATER LEVEL CONTROLLER - MOH

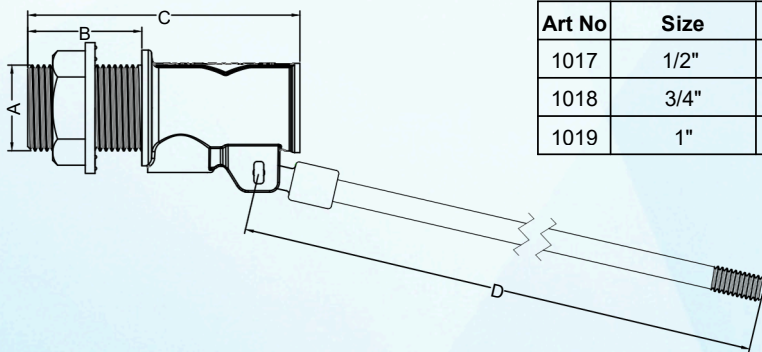


Reliable • Durable • Affordable

FORGING BRASS WATER LEVEL CONTROLLER (MOH)



Part	Part Name	Material
1	Jam Nut	A.B.S
2	Body	Forged Brass
3	Stopper Rubber	EDPM
4	Stopper	A.B.S
5	Level Handle	Brass Rod
6	Level Arm	Forged Brass
7	Cotter Pin	Brass Rod



Art No	Size	A	B	C	D
1017	1/2"	BSPP 1/2"	33.0	76.5	227.5
1018	3/4"	BSPP 3/4"	35.0	83.5	327.5
1019	1"	BSPP 1"	36.0	90.5	387.5

Nominal Pressure: 16 bar
Working Temperature: < 90°C



WELL-BUILT ALLOY INDUSTRIES SDN BHD

No 5, Jalan Riang 24, Taman Gembira, 81200 Johor Bahru, Johor, Malaysia.

Tel: +607-3329173 Fax: +607-3328664 Email: info@wellbuiltalloy.com.my

Website: www.wellbuiltalloy.com.my