

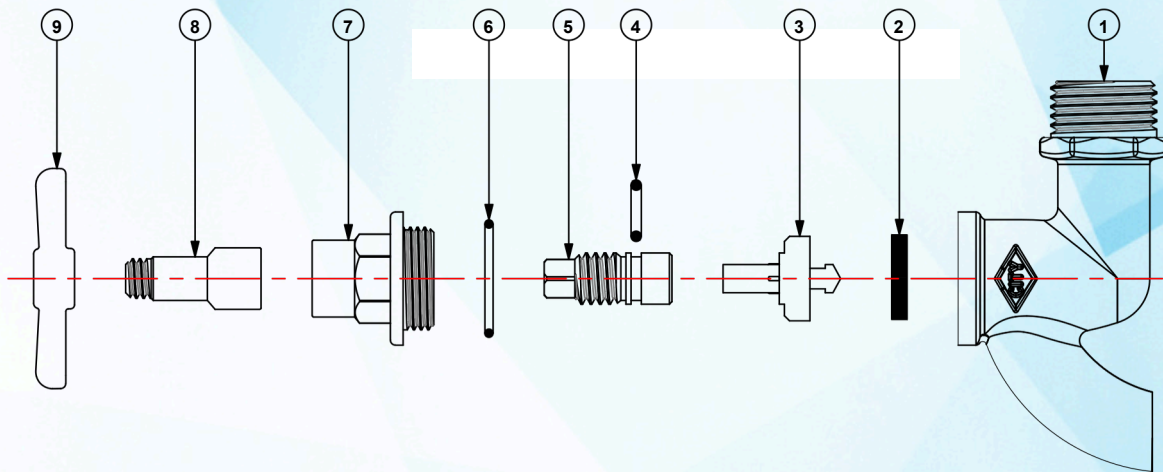


# FORGING BRASS LOOSE KEY BIB TAP

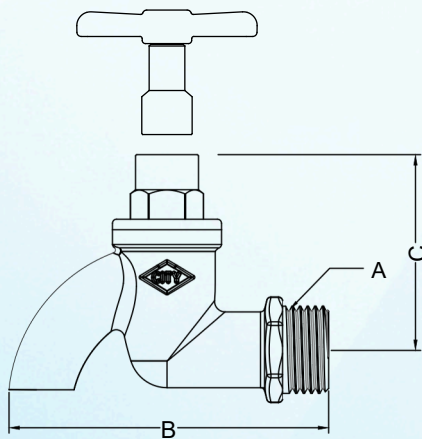


*Reliable • Durable • Affordable*

# FORGING BRASS LOOSE KEY BIB TAP



Part	Part Name	Material	Part	Part Name	Material
1	Body	Forged Brass	6	Bonnet O-Ring	Nitrile Rubber
2	Stopper	Nitrile Rubber	7	Bonnet	Forged Brass
3	Stopper Pin	Nylon	8	Bonnet Handle Stem	Brass Rod
4	Stem O-Ring	Nitrile Rubber	9	Handle	Forged Brass
5	Bonnet Stem	Brass Rod			



Art No	1008A	1008
Size	1/2" LD L/K	1/2" BS L/K
A	BSPP 1/2"	BSPP 1/2"
B	76.2	85.3
C	46.3	56.5

Nominal Pressure: 16 bar  
Working Temperature: < 50°C



**WELL-BUILT ALLOY INDUSTRIES SDN BHD**

No 5, Jalan Riang 24, Taman Gembira, 81200 Johor Bahru, Johor, Malaysia.  
Tel: +607-3329173 Fax: +607-3328664 Email: [info@wellbuiltalloy.com.my](mailto:info@wellbuiltalloy.com.my)  
Website: [www.wellbuiltalloy.com.my](http://www.wellbuiltalloy.com.my)