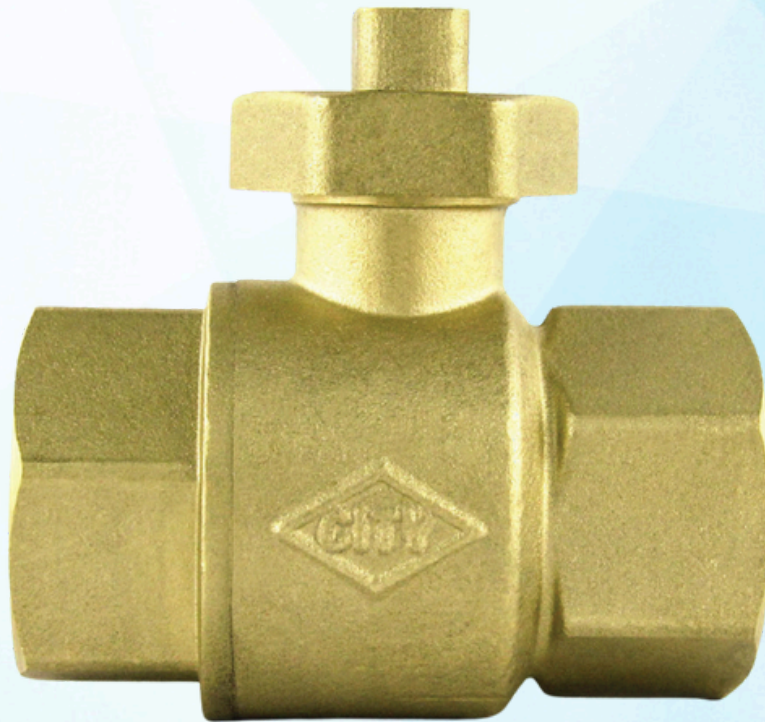


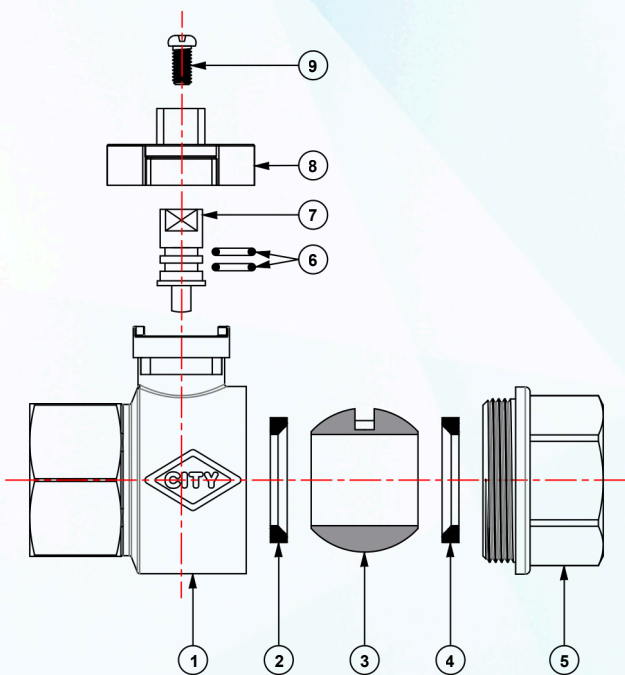


FORGING BRASS LOCKABLE BALL VALVE (P)

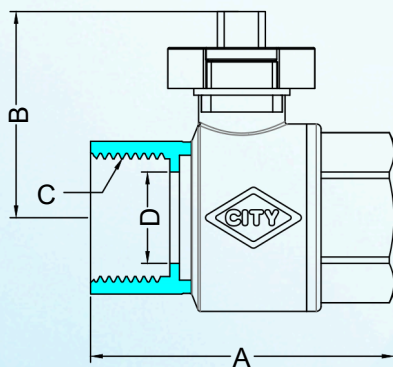


Reliable · Durable · Affordable

FORGING BRASS LOCKABLE BALL VALVE (P)



Part	Part Name	Material
1	Body	Forged Brass
2	Teflon Seat	Teflon
3	Ball	Stainless Steel
4	Teflon Seat	Teflon
5	Attachment	Forged Brass
6	Stem O-Ring	Nitrile Rubber
7	Stem	Brass Rod
8	Handle	Forged Brass
9	Handle Screw	Stainless Steel



Art No	Size	A	B	C	D
1402P	3/4"	63.2	42.4	BSPP 3/4"	19

Nominal Pressure: 16 bar
Working Temperature: < 90 °C



WELL-BUILT ALLOY INDUSTRIES SDN BHD

No 5, Jalan Riang 24, Taman Gembira, 81200 Johor Bahru, Johor, Malaysia.
Tel: +607-3329173 Fax: +607-3328664 Email: info@wellbuiltalloy.com.my
Website: www.wellbuiltalloy.com.my