

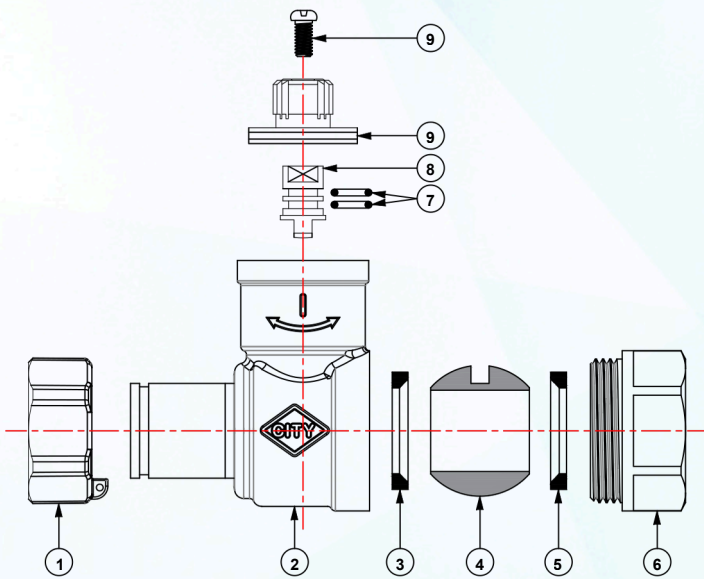


# FORGING BRASS LOCKABLE BALL VALVE (J1)

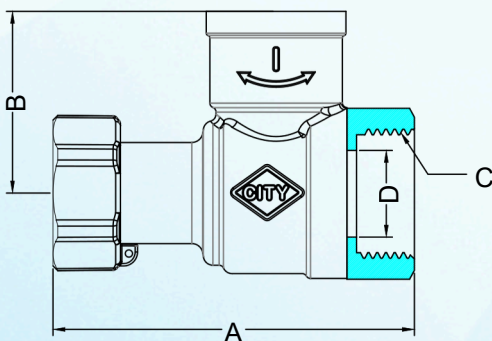


*Reliable · Durable · Affordable*

# FORGING BRASS LOCKABLE BALL VALVE (J1)



Part	Part Name	Material
1	Coupling	Forged Brass
2	Body	Forged Brass
3	Teflon Seat	Teflon
4	Ball	Stainless Steel
5	Teflon Seat	Teflon
6	Attachment	Forged Brass
7	Stem O-Ring	Nitrile Rubber
8	Stem	Brass Rod
9	Handle Cap	Forged Brass
10	Handle Screw	Stainless Steel



Art No	Size	A	B	C	D
1402J	3/4"	67.0	38.0	BSPP 3/4"	18

Nominal Pressure: 16 bar

Working Temperature: < 90 °C



**WELL-BUILT ALLOY INDUSTRIES SDN BHD**

No 5, Jalan Riang 24, Taman Gembira, 81200 Johor Bahru, Johor, Malaysia.

Tel: +607-3329173 Fax: +607-3328664 Email: [info@wellbuiltalloy.com.my](mailto:info@wellbuiltalloy.com.my)

Website: [www.wellbuiltalloy.com.my](http://www.wellbuiltalloy.com.my)