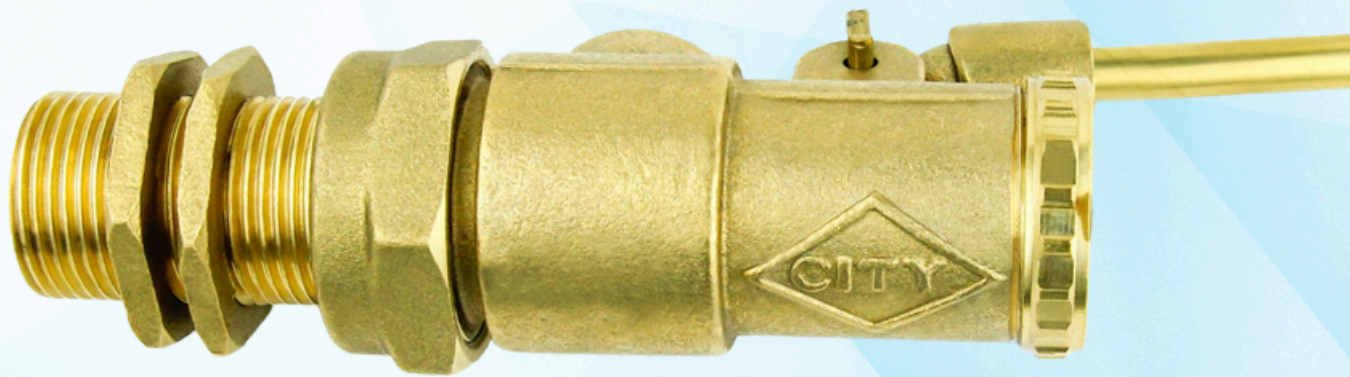


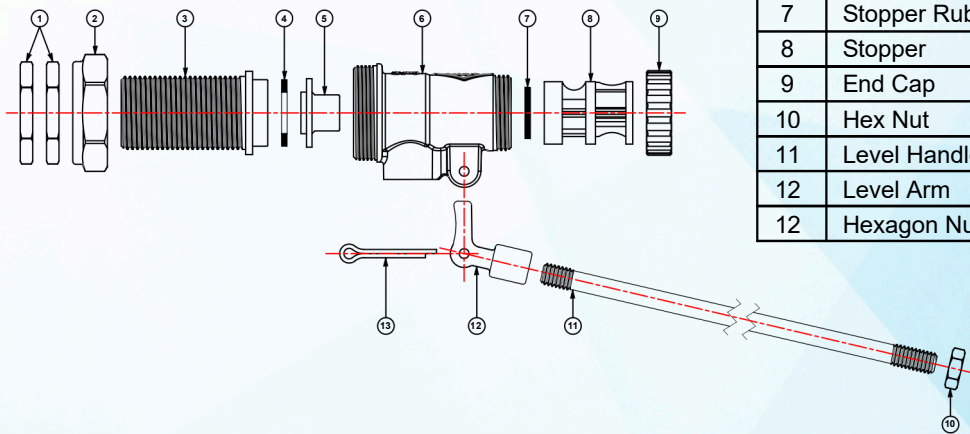


# FORGING BRASS BS1212 HEAVY DUTY WATER TANK LEVEL CONTROLLER

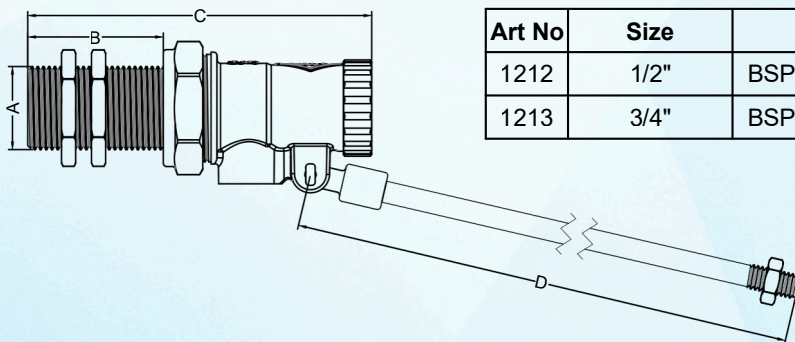


*Reliable • Durable • Affordable*

# FORGING BRASS BS1212 HEAVY DUTY WATER TANK LEVEL CONTROLLER



Part	Part Name	Material
1	Jam Nut	Brass Rod
2	Coupling	Forged Brass
3	Inlet Tube	Forged Brass
4	Inlet Tube Rubber	EDPM
5	Nozzle	Forged Brass
6	Body	Forged Brass
7	Stopper Rubber	EDPM
8	Stopper	Forged Brass
9	End Cap	Forged Brass
10	Hex Nut	Brass Rod
11	Level Handle	Brass Rod
12	Level Arm	Forged Brass
12	Hexagon Nut	Standard Steel



Art No	Size	A	B	C	D
1212	1/2"	BSPP 1/2"	43.5	102.0	227.5
1213	3/4"	BSPP 3/4"	45.0	108.5	327.5

Nominal Pressure: 16 bar  
Working Temperature: < 90°C



## WELL-BUILT ALLOY INDUSTRIES SDN BHD

No 5, Jalan Riang 24, Taman Gembira, 81200 Johor Bahru, Johor, Malaysia.  
Tel: +607-3329173 Fax: +607-3328664 Email: [info@wellbuiltalloy.com.my](mailto:info@wellbuiltalloy.com.my)  
Website: [www.wellbuiltalloy.com.my](http://www.wellbuiltalloy.com.my)