

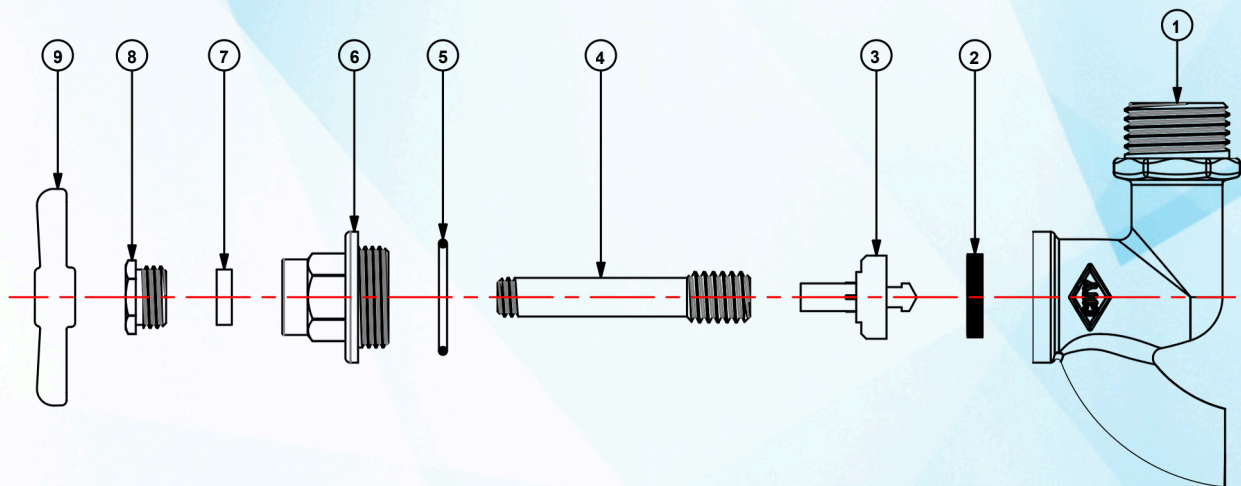


FORGING BRASS BIB TAP

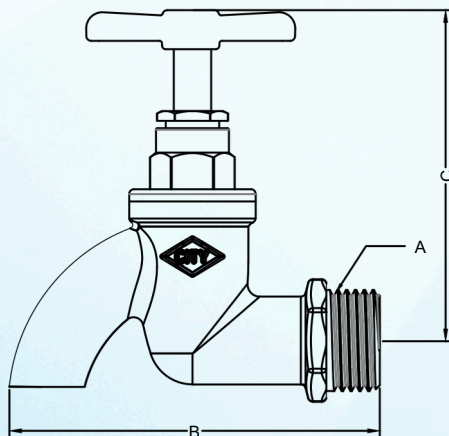


Reliable · Durable · Affordable

FORGING BRASS BIB TAP



Part	Part Name	Material	Part	Part Name	Material
1	Body	Forged Brass	6	Bonnet	Forged Brass
2	Stopper	Nitrile Rubber	7	Packing Seal	Telfon
3	Stopper Pin	Nylon	8	Packing Nut	Brass Rod
4	Stem	Brass Rod	9	Handle	Forged Brass
5	O-Ring	Nitrile Rubber			



Art No	1001	1009	1010
Size	1/2" LD	1/2" BS	3/4" BS
A	BSPP 1/2"	BSPP 1/2"	BSPP 3/4"
B	76.2	85.3	86.8
C	71.9	81.0	82.2

Nominal Pressure: 16 bar
Working Temperature: < 50°C



WELL-BUILT ALLOY INDUSTRIES SDN BHD

No 5, Jalan Riang 24, Taman Gembira, 81200 Johor Bahru, Johor, Malaysia.
Tel: +607-3329173 Fax: +607-3328664 Email: info@wellbuiltalloy.com.my
Website: www.wellbuiltalloy.com.my